

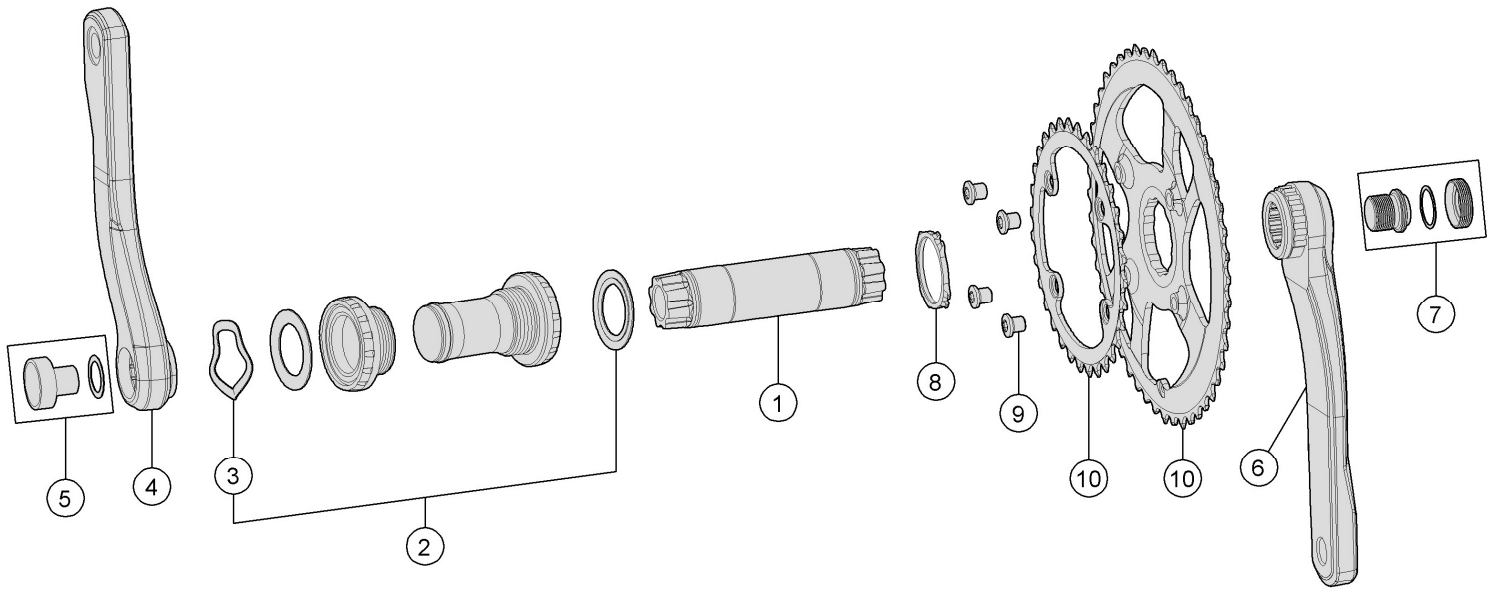
SL-K Modular Adventure BB386EVO Crankset

CKM-OS8685CC/86



With MegaEVO BB-EVO8681

Modular design for multiple chainring and chainline configurations



Item No.	FSA Code No.	Description	Notes
1	203-0008000060	A3160 ϕ 30mm Aluminum Spindle	
2	200-3201	BB-EVO8681 Road MegaEVO Bottom Bracket – ϕ 30mm	68mm width BSC-1.37"x24T★
3	230-0028000140	MW083 Wave Spring Washer	
4	340-0049005030	K1554 SL-K SOLID Carbon Left Arm	175L ★
5	390-0042000600	ML040+MW092 Crank Bolt for Left Arm	
6	341-0027005030	K2554 SL-K SOLID Carbon Right Arm	175L ★
7	390-0028000601	QR-19 Self-Extracting Crank Bolt Assembly	
8	390-0044000600	ML549 Modular Crank System Lockring	
9	390-0003000150	ML163 Chainring Bolts	
10	370-0039004050	WA096 Alloy Chainring 48T	48/32 ★Optional parts
	370-0041001050	WB412 Alloy Chainring 32T	
11	390-1200N	MW040 Pedal Insert Washers	

★ Optional Parts

Item No.	FSA Code No.	Description	Notes
4	340-0049004030	K1554 SL-K SOLID Carbon Left Arm	172.5L
	340-0049003030		170L
	340-0049002030		165L
6	341-0027004030	K2554 SL-K SOLID Carbon Right Arm	172.5L
	341-0027003030		170L
	341-0027002030		165L
10	370-0040003050	WA077 Alloy Chainring 46T Neutral Graphics	46/30
	370-0042021050	WB007 Alloy Chainring 30T Neutral Graphics	

★ For all other BB compatibility, visit <http://www.fullspeedahead.com/support/technical-information-instructions/>
http://fsa-4207.kxcdn.com/wp-content/uploads/2014/07/CRANKSET_BB-COMPATABILITY-CHART-ROAD-20160312.pdf