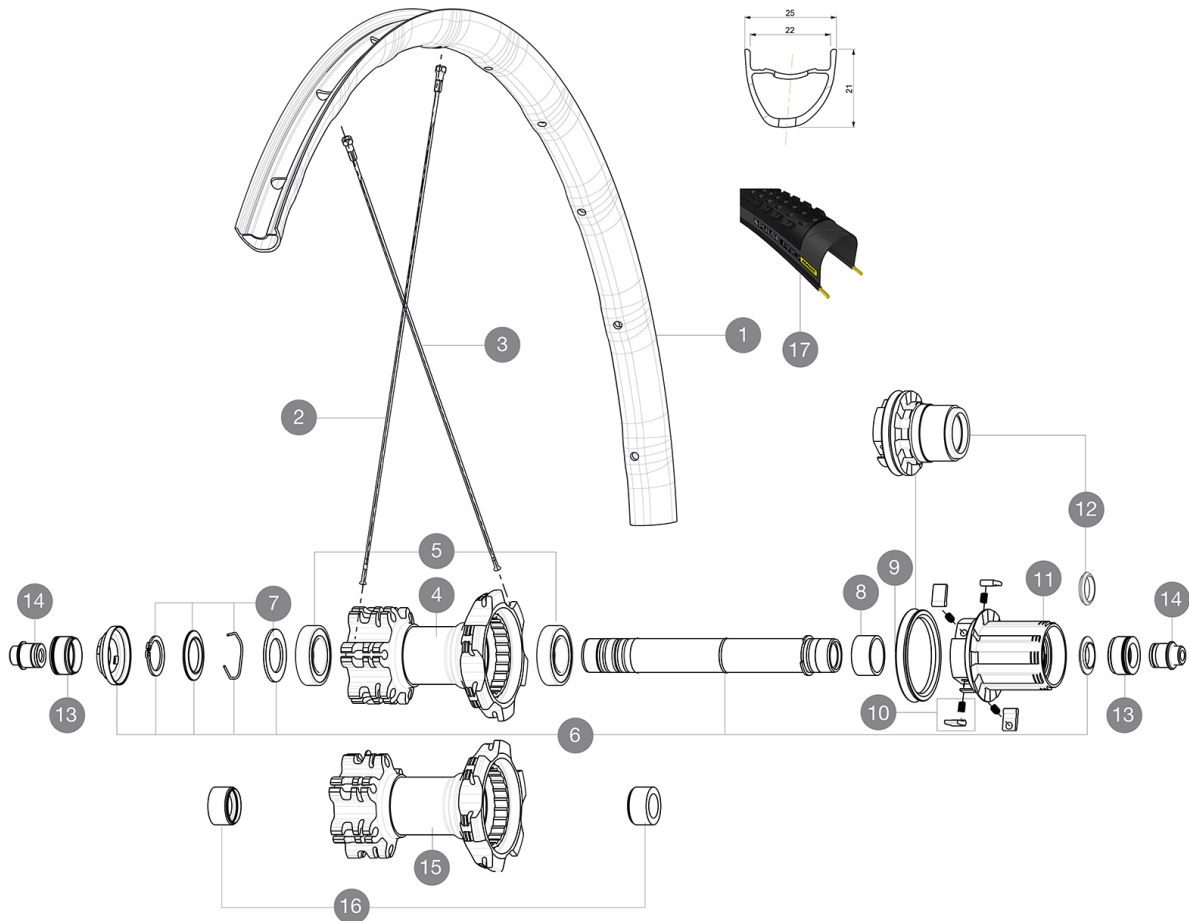


ASTM CATEGORY 3 : offroad with jumps less than 61cm
Recommended weight limit : 120kg
Recommended tire sizes: 28 mm to 62 mm (1.1" to 2.5")

REFERENCES WHEELS

P83151	XmaxElite27.5PrWTS BK	R96382	XmElit27.5RrBoostXDWTS Rd
P83161	XmaxElite27.5PrWTS Rd	R96391	XmElit27.5RrXDWTS BK
R96371	XmElite27.5RrBoostWTS BK	R96392	XmElit27.5RrXDWTS Red
R96372	XmElite27.5RrBoostWTS Rd	R81601	XmElite27.5RrWTS BK
R96381	XmElit27.5RrBoostXDWTSBK	R81602	XmElite27.5RrWTS Red



RIMS



Ø VALVE HOLE (MM): 6,5 :

1	V3140115	SET Front/Rear rim XMAX ELITE 27,5" 22TSS red
1	V3120115	SET Front/Rear rim XMAX ELITE 27,5" 22TSS black

SPOKES

2	36689301	"12 SPOKES DRIVE SIDE CROSSROC 650b/27,5" 275mm"
3	V2382401	12 FRT + REAR NON-DRIVE SIDE SPOKES 279mm CROSSRIDE

MOYEURS

4	N/A	HUB BODY
4	N/A	HUB BODY
5	M40076	FRONT HUB 6903 BEARINGS
6	V2371201	KIT REAR QRM AXLE 135-142mm/BOOST 148mm
7	V2370401	REAR AUTO ADJUST.PLAY KIT 12MM AXLE
8	35124501	SET OF 3 REAR AXLE/FREEWHEEL BODY SPACERS
9	99610701	ITS4 SEAL
10	99610601	ITS4 PAWLS KIT
11	35126001	ITS-4 FREEWHEEL BODY + SEAL 2013 (WITHOUT PAWLS)
12	35684101	ITS-4 FREEWHEEL BODY XD +SEAL 2013 (WITHOUT PAWLS)
13	30872201	FORK REST ITS-4 135mm REAR AXLE 2012
14	30873101	2 REAR REDUCERS 12/9,5mm 2012 ITS4 HUB
15	N/A	HUB BODY
15	N/A	HUB BODY






16	V2371401	YELLOW AXLE SUPPORT REAR BOOST 148mm FOR SELF ADJUSTING AXLE SYSTEM
----	----------	---

TYRES

17	39243121	Pulse Pro 27,5" 2.1
17	39243132	Pulse Pro 27,5" 2.25

MAVIC Crossmax Elite

DELIVERED WITH

1 bottle of Mavic Sealant (355 466 01) 1	
BR101 quick releases (M40350 firt, M40351 rear road, M40352 rear MTB) 1	
Front QR adapters (996 941 01 for MTB or B41 043 01 for road) 1	
Rear 12x142mm adapters for ITS4 and TS2 (308 593 01 for ITS4, 329 650 01 for TS2) 1	
UST valve and accessories (129 838 01)	
Tubeless rim tape	

COMPATIBILITY

Freewheel: Shimano/Sram, convertible to XD with optional driver body	
Front axle: convertible from 15mm thru axle to Quick Release with included adapters	
Rear axle: 12mm thru axle, convertible to Quick Release with included adapters	

Specifications

RIMS

- **Material** : Mactal
 - **Joint** : SUP
 - **Drilling** : traditional
 - **Weight reduction** : ISM 4D
 - **Valve hole diameter** : 6.5 mm
 - **Tire** : UST Tubeless and tubetype
 - **Internal width** : 22 mm
 - **ETRTO size 27.5"** : 584x22ss
 - **ETRTO size 29"** : 622x22ss
- Hookless profile
Use with Mavic Tubeless Tape

SPOKES

- **Material** : steel
- **Shape** : straight pull, bladed, double butted
- **Count** : 24 front and rear
- **Lacing** : front and rear crossed 2

WHEEL HUB

- **Front and rear bodies** : aluminum
 - **Axle material** : aluminum
- Sealed cartridge bearings
- **Freewheel** : ITS-4 alloy

VERSIONS

- **Color** : Black or Black/Red
 - **Disc standard** : 6 Bolts only
 - **Hub width** : Boost (front 110, rear 148) or Non-Boost (front 100, rear 135/142)
- Lefty Supermax

WHEEL WEIGHTS

- Wheel weight
- Weight Rear 27.5": 885
- Weight Rear 29": 930