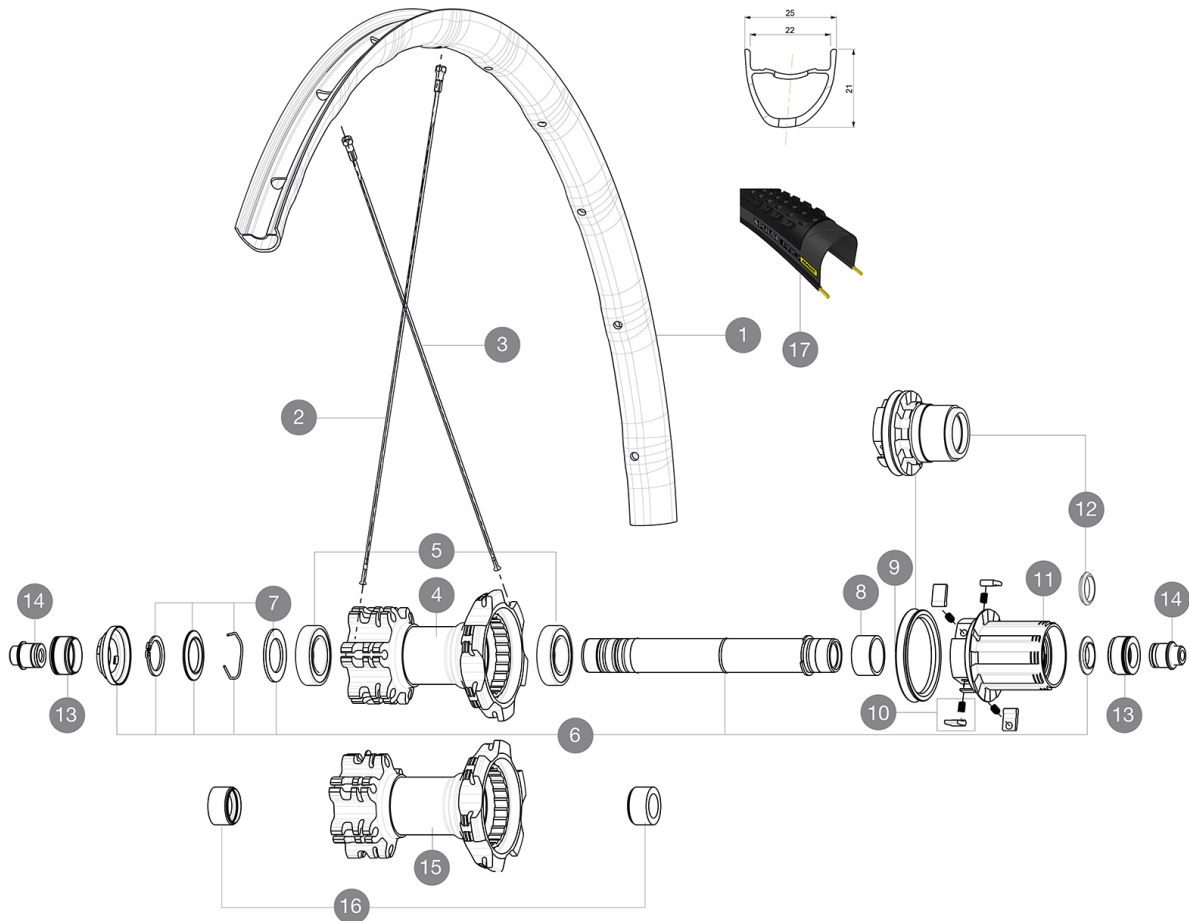


ASTM CATEGORY 3 : offroad with jumps less than 61cm  
Recommended weight limit : 120kg  
Recommended tyre sizes: 28 mm to 62 mm (1.1" to 2.5")

## REFERENCES WHEELS

|        |                          |        |                           |
|--------|--------------------------|--------|---------------------------|
| P83151 | XmaxElite27.5PrWTS BK    | R96382 | XmElit27.5RrBoostXDWTS Rd |
| P83161 | XmaxElite27.5PrWTS Rd    | R96391 | XmElit27.5RrXDWTS BK      |
| R96371 | XmElite27.5RrBoostWTS BK | R96392 | XmElit27.5RrXDWTS Red     |
| R96372 | XmElite27.5RrBoostWTS Rd | R81601 | XmElite27.5RrWTS BK       |
| R96381 | XmElit27.5RrBoostXDWTSBK | R81602 | XmElite27.5RrWTS Red      |



## RIMS



Ø VALVE HOLE (MM): 6,5 :

|   |          |                                                 |
|---|----------|-------------------------------------------------|
| 1 | V3140115 | SET Front/Rear rim XMAX ELITE 27,5" 22TSS red   |
| 1 | V3120115 | SET Front/Rear rim XMAX ELITE 27,5" 22TSS black |

## SPOKES

|   |          |                                                     |
|---|----------|-----------------------------------------------------|
| 2 | 36689301 | "12 SPOKES DRIVE SIDE CROSSROC 650b/27,5" 275mm"    |
| 3 | V2382401 | 12 FRT + REAR NON-DRIVE SIDE SPOKES 279mm CROSSRIDE |

## MOYEURS

|    |          |                                                    |
|----|----------|----------------------------------------------------|
| 4  | N/A      | HUB BODY                                           |
| 4  | N/A      | HUB BODY                                           |
| 5  | M40076   | FRONT HUB 6903 BEARINGS                            |
| 6  | V2371201 | KIT REAR QRM AXLE 135-142mm/BOOST 148mm            |
| 7  | V2370401 | REAR AUTO ADJUST.PLAY KIT 12MM AXLE                |
| 8  | 35124501 | SET OF 3 REAR AXLE/FREEWHEEL BODY SPACERS          |
| 9  | 99610701 | ITS4 SEAL                                          |
| 10 | 99610601 | ITS4 PAWLS KIT                                     |
| 11 | 35126001 | ITS-4 FREEWHEEL BODY + SEAL 2013 (WITHOUT PAWLS)   |
| 12 | 35684101 | ITS-4 FREEWHEEL BODY XD +SEAL 2013 (WITHOUT PAWLS) |
| 13 | 30872201 | FORK REST ITS-4 135mm REAR AXLE 2012               |
| 14 | 30873101 | 2 REAR REDUCERS 12/9,5mm 2012 ITS4 HUB             |
| 15 | N/A      | HUB BODY                                           |
| 15 | N/A      | HUB BODY                                           |






|    |          |                                                                     |
|----|----------|---------------------------------------------------------------------|
| 16 | V2371401 | YELLOW AXLE SUPPORT REAR BOOST 148mm FOR SELF ADJUSTING AXLE SYSTEM |
|----|----------|---------------------------------------------------------------------|

## TYRES

|    |          |                      |
|----|----------|----------------------|
| 17 | 39243121 | Pulse Pro 27,5" 2.1  |
| 17 | 39243132 | Pulse Pro 27,5" 2.25 |

# MAVIC Crossmax Elite 27.5

## DELIVERED WITH

|                                                                                                         |                                                                                   |
|---------------------------------------------------------------------------------------------------------|-----------------------------------------------------------------------------------|
| BR101 rear quick release<br>(M40352)<br>1                                                               |  |
| Front QR adapters<br>(996 941 01 for MTB or B41 043 01 for road)<br>1                                   |  |
| Rear 12x142mm adapters for Instant Drive 360<br>(B49 896 01 for ID360 6T, B49 899 01 for ID360 CL)<br>1 |  |
| Rear 12x142mm adapters for ITS4 and TS2<br>(308 593 01 for ITS4, 329 650 01 for TS2)<br>1               |  |
| UST valve and accessories<br>(129 838 01)                                                               |  |
| Tubeless rim tape                                                                                       |                                                                                   |

## COMPATIBILITY

|                                                                                     |  |
|-------------------------------------------------------------------------------------|--|
| Freewheel: Shimano/Sram, convertible to XD with optional driver body                |  |
| Front axle: convertible from 15mm thru axle to Quick Release with included adapters |  |
| Rear axle: 12mm thru axle, convertible to Quick Release with optional adapters      |  |

## Specifications

### RIMS

- **Material** : Mxstal
  - **Joint** : SUP
  - **Drilling** : traditional
  - **Weight reduction** : ISM 4D
  - **Valve hole diameter** : 6.5 mm
  - **Tyre** : UST Tubeless and tubetype
  - **Internal width** : 22 mm
  - **ETRTO size 27.5"** : 584x22ss
  - **ETRTO size 29"** : 622x22ss
- Hookless profile  
Use with Mavic Tubeless Tape

### SPOKES

- **Material** : steel
- **Shape** : straight pull, bladed, double butted
- **Count** : 24 front and rear
- **Lacing** : front and rear crossed 2

### WHEEL HUB

- **Front and rear bodies** : aluminum
  - **Axle material** : aluminum
- Sealed cartridge bearings
- **Freewheel** : ITS-4 alloy

### VERSIONS

- **Color** : Black or Black/Red
  - **Disc standard** : 6 Bolts only
  - **Hub width** : Boost (front 110, rear 148) or Non-Boost (front 100, rear 135/142)
- Lefty Supermax

### WHEEL WEIGHTS

- Wheel weight
- Weight Rear 27.5": 885
- Weight Rear 29": 930