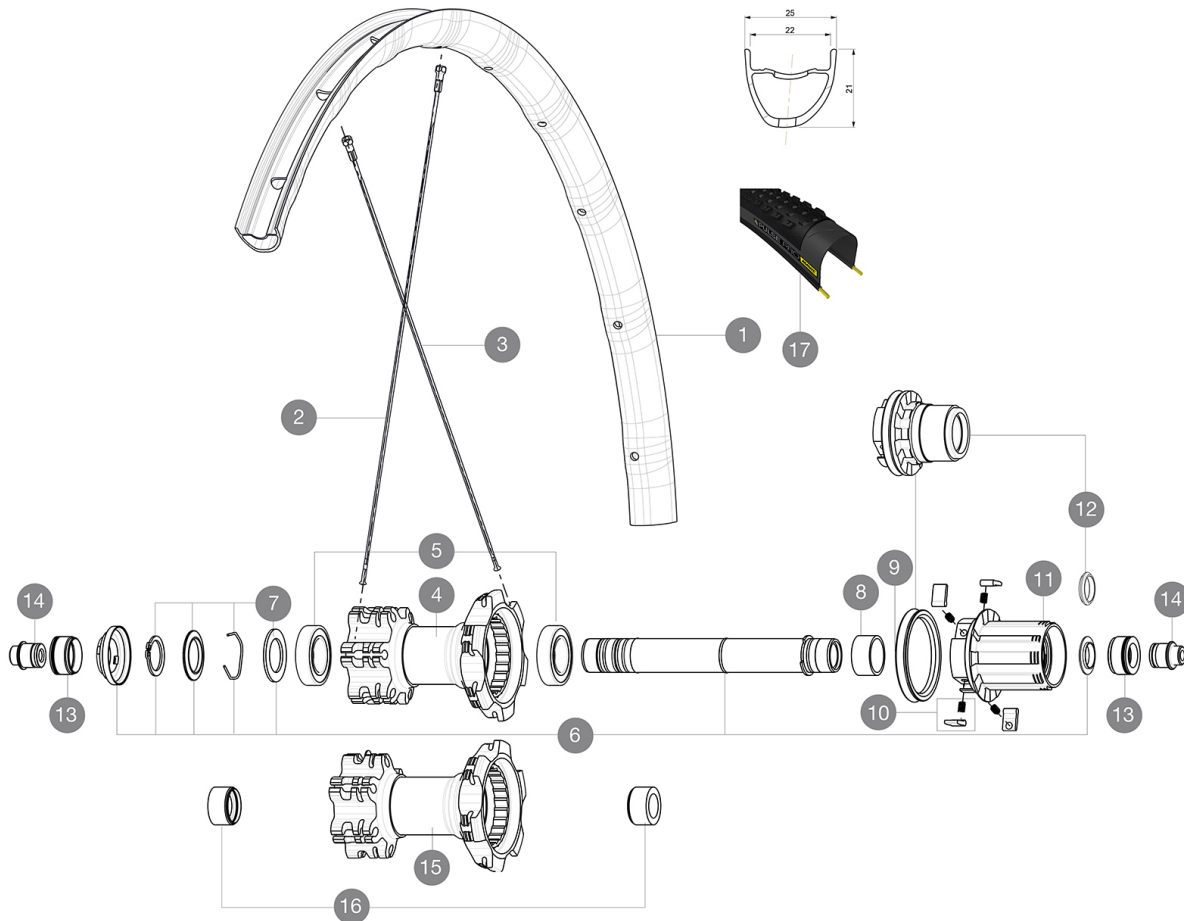


ASTM CATEGORY 3 : offroad with jumps less than 61cm  
Recommended weight limit : 120kg  
Recommended tire sizes: 28 mm to 62 mm (1.1" to 2.5")

## REFERENCES WHEELS

P83171	XmaxElite29PrWTSBlack	R96512	XmElite29RrBoostWTSRed
P83181	XmaxElite29PrWTSRed	R96521	XmElite29RrBoostXDWTS BK
R81701	XmaxElite29RrWTSBlack	R96522	XmElite29RrBoostXDWTSRed
R81702	XmaxElite29RrWTSRed	R96541	XmElite29RrXDWTS Black
R96511	XmElite29RrBoostWTSBlack	R96542	XmElite29RrXDWTSRed



## RIMS



Ø VALVE HOLE (MM): 6,5 :

1	V3150115	SET Front/Rear rim XMAX ELITE 29" 22TSS red
1	V3130115	SET Front/Rear rim XMAX ELITE 29" 22TSS black

## SPOKES

2	V2382301	12 REAR DRIVE SIDE SPOKES 297mm CROSSRIDE
3	36689601	"12 SPOKES DRIVE SIDE CROSSROC 29"" 293mm"

## MOYEURS

4	N/A	HUB BODY
4	N/A	HUB BODY
5	M40076	FRONT HUB 6903 BEARINGS
6	V2371201	KIT REAR QRM AXLE 135-142mm/BOOST 148mm
7	V2370401	REAR AUTO ADJUST.PLAY KIT 12MM AXLE
8	35124501	SET OF 3 REAR AXLE/FREEWHEEL BODY SPACERS
9	99610701	ITS4 SEAL
10	99610601	ITS4 PAWLS KIT
11	35126001	ITS-4 FREEWHEEL BODY + SEAL 2013 (WITHOUT PAWLS)
12	35684101	ITS-4 FREEWHEEL BODY XD +SEAL 2013 (WITHOUT PAWLS)
13	30872201	FORK REST ITS-4 135mm REAR AXLE 2012
14	30873101	2 REAR REDUCERS 12/9,5mm 2012 ITS4 HUB
15	N/A	HUB BODY
15	N/A	HUB BODY

16	V2371401	YELLOW AXLE SUPPORT REAR BOOST 148mm FOR SELF ADJUSTING AXLE SYSTEM
----	----------	---

## TYRES

17	39243232	Pulse Pro 29" 2.25
17	39243221	Pulse Pro 29" 2.1

# MAVIC Crossmax Elite 29

## DELIVERED WITH

BR101 quick releases (M40350 firt, M40351 rear road, M40352 rear MTB) 1	
Front QR adapters (996 941 01 for MTB or B41 043 01 for road) 1	
Rear 12x142mm adapters for ITS4 and TS2 (308 593 01 for ITS4, 329 650 01 for TS2) 1	
UST valve and accessories (129 838 01)	
Tubeless rim tape	

## COMPATIBILITY

Freewheel: Shimano/Sram, convertible to XD with optional driver body	
Front axle: convertible from 15mm thru axle to Quick Release with included adapters	
Rear axle: 12mm thru axle, convertible to Quick Release with included adapters	

## Specifications

### RIMS

- **Material** : Mactal
- **Joint** : SUP
- **Drilling** : traditional
- **Weight reduction** : ISM 4D
- **Valve hole diameter** : 6.5 mm
- **Tire** : UST Tubeless and tubetype
- **Internal width** : 22 mm
- **ETRTO size 27.5"** : 584x22ss
- **ETRTO size 29"** : 622x22ss

Hookless profile  
Use with Mavic Tubeless Tape

### SPOKES

- **Material** : steel
- **Shape** : straight pull, bladed, double butted
- **Count** : 24 front and rear
- **Lacing** : front and rear crossed 2

### WHEEL HUB

- **Front and rear bodies** : aluminum
- **Axle material** : aluminum
- Sealed cartridge bearings
- **Freewheel** : ITS-4 alloy

### VERSIONS

- **Color** : Black or Black/Red
- **Disc standard** : 6 Bolts only
- **Hub width** : Boost (front 110, rear 148) or Non-Boost (front 100, rear 135/142)
- Lefty Supermax

### WHEEL WEIGHTS

Wheel weight  
Weight Rear 27.5": 885  
Weight Rear 29": 930