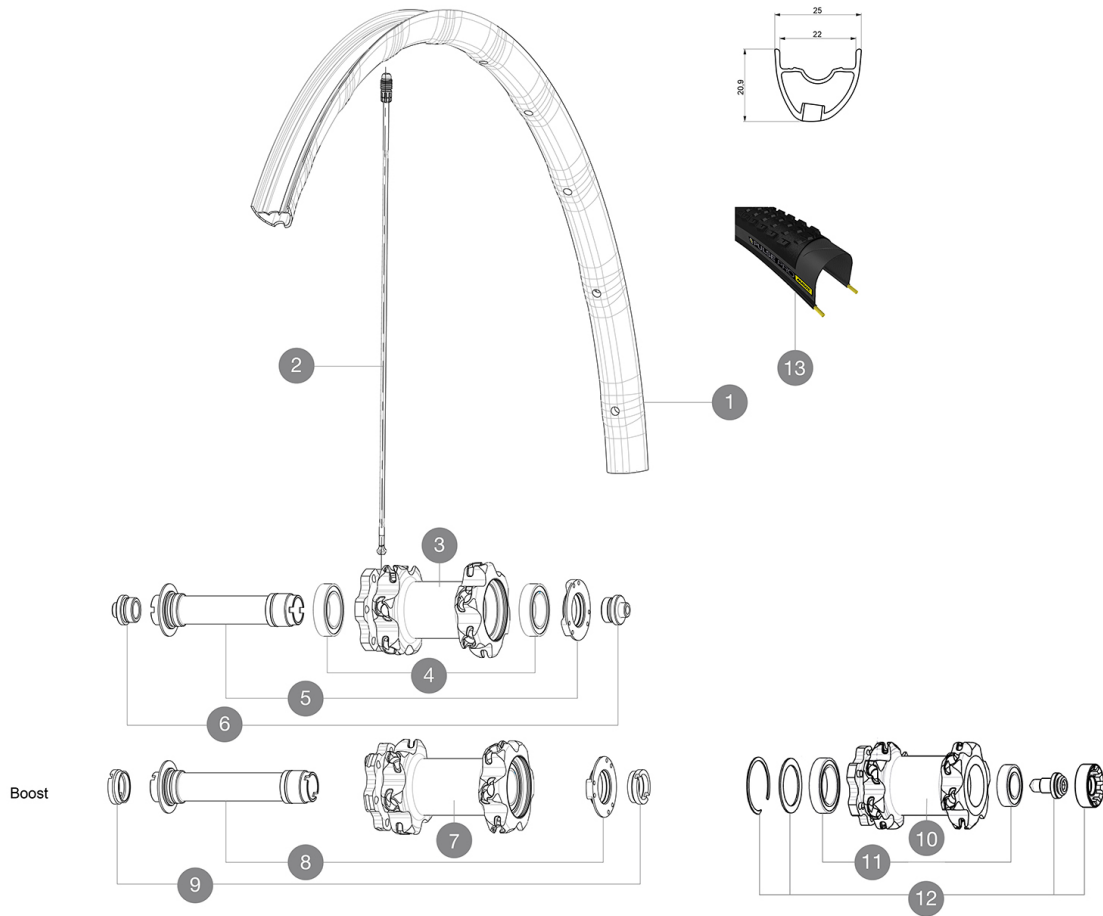


MAVIC **Crossmax Pro 27.5**

ASTM CATEGORY 3 : offroad with jumps less than 61cm
 Recommended weight limit : 120kg
 Recommended tyre sizes: 28 mm to 62 mm (1.1" to 2.5")

REFERENCES WHEELS

F69591	XmaxProFtBoost27.5WTS	P83131	XmaxProPr27.5WTS
F69601	XmaxProFtSpX27.5WTS	F54801	XmaxProFt27.5WTS

**RIMS**

Ø VALVE HOLE (MM): 6,5 :

1	V2316010	KIT FRONT RIM CROSSMAX PRO 27,5" 22TSS
---	----------	--

SPOKES

2	V2384701	KIT 12 FRONT + 1 REAR NON-DRIVE SIDE BUTTED ZICRAL SPOKES 275mm CROSSMAX PRO 27,5"
---	----------	--

MOYEUR


3	N/A	HUB BODY
4	99688501	BEARING KIT 9/15 D6T HUB
5	V2252301	MY16 FRONT AXLE ROAD DISC 9/12/15 INT
6	B4104301	9mm FT road Axle Adapters 16
7	N/A	HUB BODY
9	B4104401	15mm FT Road Axle Adapters 16
10	N/A	HUB BODY
11	M40771	BEARING KIT FOR LEFTY HUB
12	36709301	ASSEMBLY KIT CROSSROC SUPERMAX

TYRES

13	39243132	Pulse Pro 27,5" 2.25
13	39243121	Pulse Pro 27,5" 2.1

MAVIC Crossmax Pro 27.5

DELIVERED WITH

BX601 quick releases (V24 503 01 frt, V24 504 01 rear) 1	
Front QR adapters (996 941 01 for MTB or B41 043 01 for road) 1	
Rear 12x142mm adapters for Instant Drive 360 (B49 896 01 for ID360 6T, B49 899 01 for ID360 CL) 1	
Rear 12x142mm adapters for ITS4 and TS2 (308 593 01 for ITS4, 329 650 01 for TS2) 1	
UST valve and accessories (129 838 01)	
Multifunction adjustment wrench (325 423 01) 1	
User guide	

COMPATIBILITY

Freewheel: Shimano/Sram, convertible to XD with optional driver body	
Front axle: convertible from 15mm thru axle to Quick Release with included adapters	
Rear axle: 12mm thru axle, convertible to Quick Release with optional adapters	

Specifications

RIMS

- **Material** : Maxtal
- **Joint** : SUP
- **Drilling** : Fore
- **Weight reduction** : ISM 4D
- **Valve hole diameter** : 6.5 mm
- **Tyre** : UST Tubeless and tubetype
- **Internal width** : 22 mm
- **ETRTO size 27.5"** : 584x22ss
- **ETRTO size 29"** : 622x22ss

Hookless profile

SPOKES

- **Material** : Zicral
- **Shape** : straight pull, bladed, double butted
- **Count** : 24 front and rear
- **Lacing** : front crossed 2, rear Isopulse

WHEEL HUB

- **Rear body** : aluminum
 - **Front body** : carbon with aluminum flanges
 - **Axle material** : aluminum
- Sealed cartridge bearings
- **Freewheel** : ITS-4 alloy

VERSIONS

- **Color** : Black only
 - **Disc standard** : 6 Bolts only
 - **Hub width** : Boost (front 110, rear 148) or Non-Boost (front 100, rear 135/142)
- Lefty Supermax

WHEEL WEIGHTS

Wheel weight
Weight Front 27.5": 700
Weight Front 29": 730