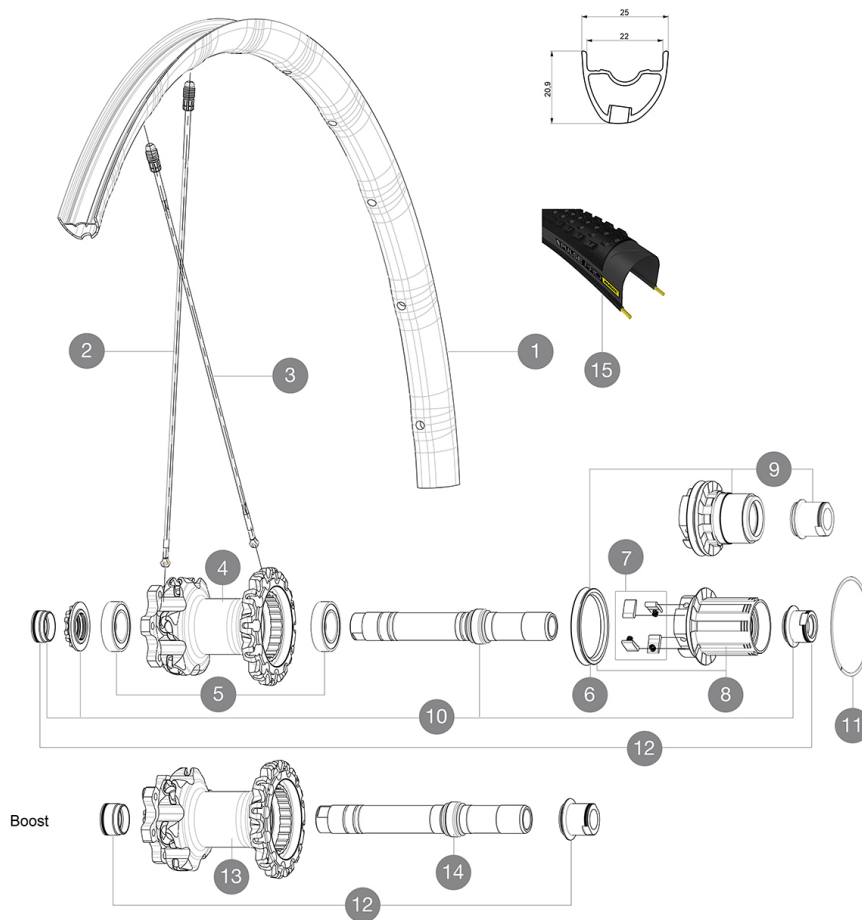


ASTM CATEGORY 3 : offroad with jumps less than 61cm
Recommended weight limit : 120kg
Recommended tyre sizes: 28 mm to 62 mm (1.1" to 2.5")

REFERENCES WHEELS

P83131	XmaxProPr27.5WTS	R96111	XmaxProPrBoostXD27.5WTS
R96091	XmaxProPrBoost27.5WTS	R81401	XmaxProPr27.5WTS
R96101	XmaxProPrXD27.5WTS		



RIMS



Ø VALVE HOLE (MM): 6,5

1	V2316113	KIT REAR RIM CROSSMAX PRO 27,5" 22TSS
---	----------	---------------------------------------

SPOKES

2	V2384801	KIT 12 FRONT + 1 REAR NON-DRIVE SIDE BUTTED ZICRAL SPOKES 293mm
3	36675101	CROSSMAX PRO REAR SIDE CROSSMAX SLR/ENDURO 650b/27,5" 251,5mm"

MOYEUX


4	N/A	HUB BODY
5	M40076	FRONT HUB 6903 BEARINGS
6	99610701	ITS4 SEAL
7	99610601	ITS4 PAWLS KIT
8	35126001	ITS-4 FREEWHEEL BODY + SEAL 2013 (WITHOUT PAWLS)
9	35684101	ITS-4 FREEWHEEL BODY XD +SEAL 2013 (WITHOUT PAWLS)
10	30870401	REAR AXLE KIT ITS4 135mm D6T/DCL 2012
11	30871801	ELASTIC RING 56mm diam.
12	30872201	FORK REST ITS-4 135mm REAR AXLE 2012
13	N/A	HUB BODY
14	V2371201	KIT REAR QRM AXLE 135-142mm/BOOST 148mm

TYRES

15	39243132	Pulse Pro 27,5" 2.25
15	39243121	Pulse Pro 27,5" 2.1

MAVIC Crossmax Pro 27.5

DELIVERED WITH

BX601 quick releases (V24 503 01 frt, V24 504 01 rear) 1	
Front QR adapters (996 941 01 for MTB or B41 043 01 for road) 1	
Rear 12x142mm adapters for Instant Drive 360 (B49 896 01 for ID360 6T, B49 899 01 for ID360 CL) 1	
Rear 12x142mm adapters for ITS4 and TS2 (308 593 01 for ITS4, 329 650 01 for TS2) 1	
UST valve and accessories (129 838 01)	
Multifunction adjustment wrench (325 423 01) 1	
User guide	

COMPATIBILITY

Freewheel: Shimano/Sram, convertible to XD with optional driver body	
Front axle: convertible from 15mm thru axle to Quick Release with included adapters	
Rear axle: 12mm thru axle, convertible to Quick Release with optional adapters	

Specifications

RIMS

- **Material** : Maxtal
- **Joint** : SUP
- **Drilling** : Fore
- **Weight reduction** : ISM 4D
- **Valve hole diameter** : 6.5 mm
- **Tyre** : UST Tubeless and tubetype
- **Internal width** : 22 mm
- **ETRTO size 27.5"** : 584x22ss
- **ETRTO size 29"** : 622x22ss

Hookless profile

SPOKES

- **Material** : Zicral
- **Shape** : straight pull, bladed, double butted
- **Count** : 24 front and rear
- **Lacing** : front crossed 2, rear Isopulse

WHEEL HUB

- **Rear body** : aluminum
 - **Front body** : carbon with aluminum flanges
 - **Axle material** : aluminum
- Sealed cartridge bearings
- **Freewheel** : ITS-4 alloy

VERSIONS

- **Color** : Black only
 - **Disc standard** : 6 Bolts only
 - **Hub width** : Boost (front 110, rear 148) or Non-Boost (front 100, rear 135/142)
- Lefty Supermax

WHEEL WEIGHTS

Wheel weight
Weight Rear 27.5": 835
Weight Rear 29": 865