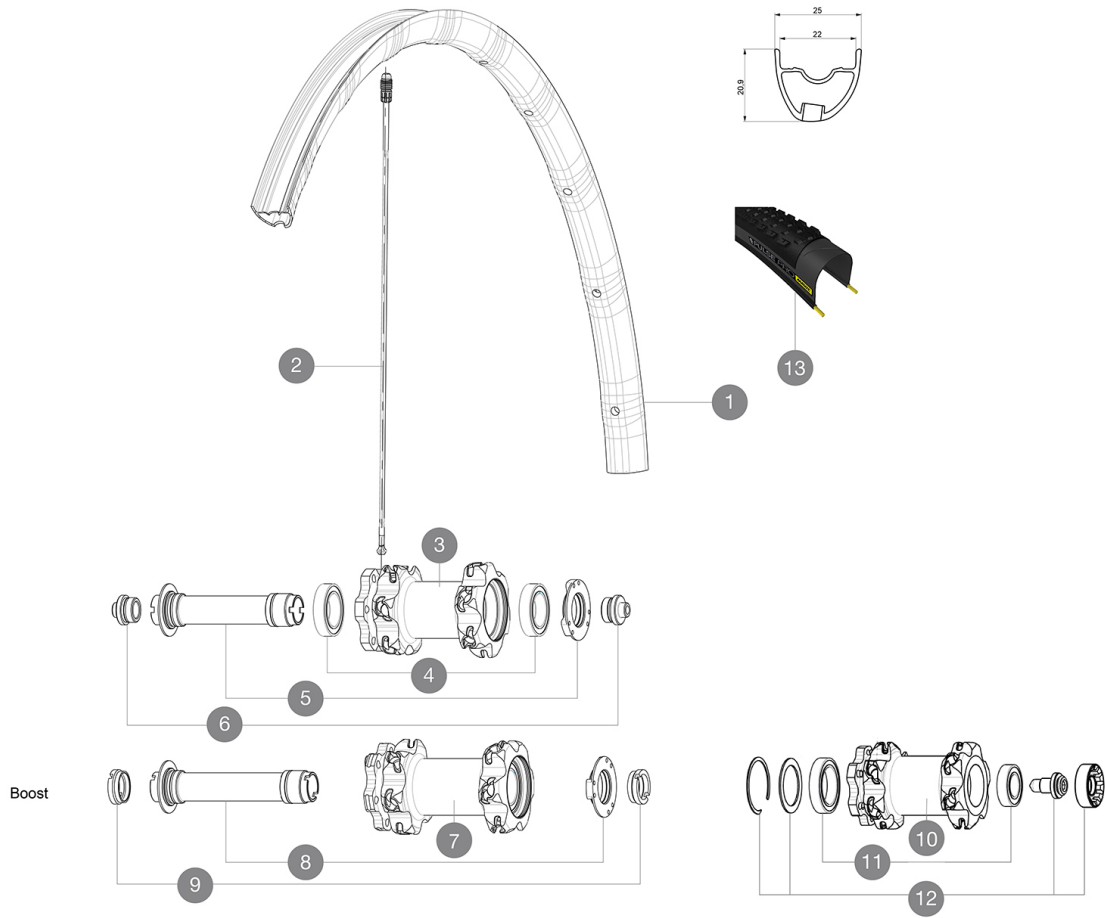


MAVIC Crossmax Pro 29

ASTM CATEGORY 3 : offroad with jumps less than 61cm
Recommended weight limit : 120kg
Recommended tyre sizes: 28 mm to 62 mm (1.1" to 2.5")

REFERENCES WHEELS

F54901	XmaxProFt29WTS	F69681	XmaxProFtSpX29WTS
F69671	XmaxProFtBoost29WTS	P83141	XmaxProPr29WTS



RIMS



Ø VALVE HOLE (MM): 6,5 :

1	V2316210	KIT FRONT RIM CROSSMAX PRO 29" 22TSS
---	----------	--------------------------------------

SPOKES

2	V2384801	KIT 12 FRONT + 1 REAR NON-DRIVE SIDE BUTTED ZICRAL SPOKES 293mm CROSSMAX PRO 29"
---	----------	--

MOYEUX

3	N/A	HUB BODY
4	99688501	BEARING KIT 9/15 D6T HUB
5	V2252301	MY16 FRONT AXLE ROAD DISC 9/12/15 INT
6	B4104301	9mm FT road Axle Adapters 16
7	N/A	HUB BODY
9	B4104401	15mm FT Road Axle Adapters 16
10	N/A	HUB BODY
11	M40771	BEARING KIT FOR LEFTY HUB
12	36709301	ASSEMBLY KIT CROSSROC SUPERMAX

TYRES

13	39243221	Pulse Pro 29" 2.1
13	39243232	Pulse Pro 29" 2.25

MAVIC Crossmax Pro 29

DELIVERED WITH

Front QR adapters (996 941 01 for MTB or B41 043 01 for road) 1	
Rear 12x142mm adapters for Instant Drive 360 (B49 896 01 for ID360 6T, B49 899 01 for ID360 CL) 1	
Rear 12x142mm adapters for ITS4 and TS2 (308 593 01 for ITS4, 329 650 01 for TS2) 1	

COMPATIBILITY

Freewheel: Shimano/Sram, convertible to XD with optional driver body	
Front axle: convertible from 15mm thru axle to Quick Release with included adapters	
Rear axle: 12mm thru axle, convertible to Quick Release with optional adapters	

Specifications

VERSIONS

- **Color** : Black only
- **Disc standard** : 6 Bolts only
- **Hub width** : Boost (front 110, rear 148) or Non-Boost (front 100, rear 135/142)
Lefty Supermax

WHEEL WEIGHTS

Wheel weight