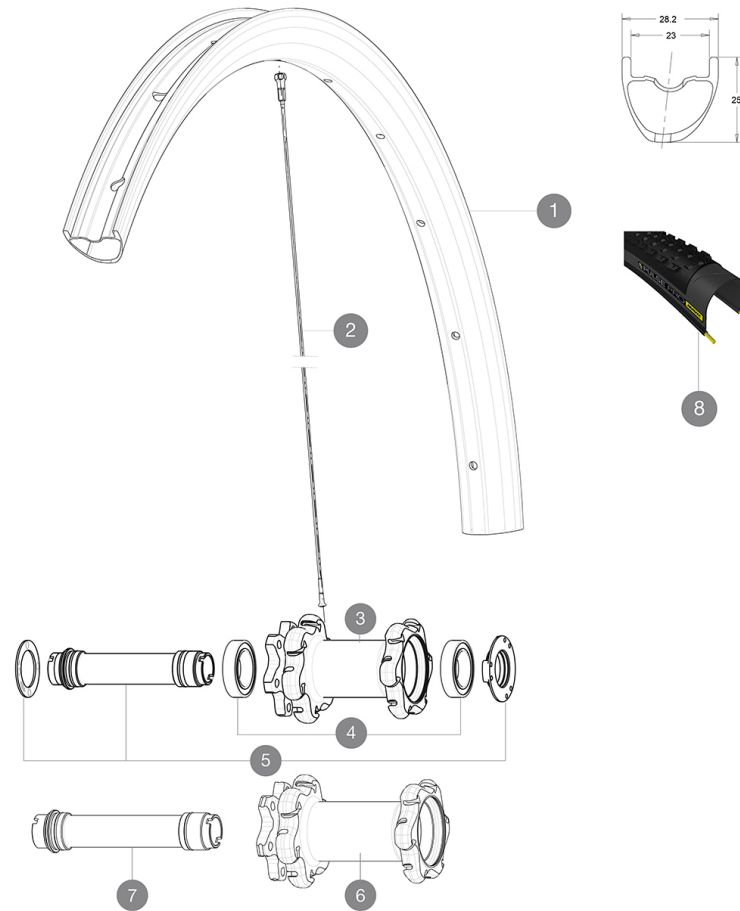


MAVIC Crossmax Pro Carbon 29

ASTM CATEGORY 3 : offroad with jumps less than 61cm
Recommended weight limit : 120kg
Recommended tyre sizes: 28 mm to 62 mm (1.1" to 2.5")

REFERENCES WHEELS

| | | | |
|--------|-----------------------|--------|--------------------|
| F54701 | XmaxProCarb29FiWTS | F69451 | XmProCarb29FiSpWTS |
| F69441 | XmProCarb29FiBoostWTS | P83121 | XmaxProCarb29PWTS |



RIMS



Ø VALVE HOLE (MM): 6,5 :

| | | |
|---|----------|-----------------------------------|
| 1 | V3280110 | SET Front rim XMAX PRO CARBON 29" |
|---|----------|-----------------------------------|

SPOKES

| | | |
|---|----------|---|
| 2 | V2384601 | KIT 12 FRONT + REAR NON-DRIVE SIDE BUTTED SPOKES 292mm CROSSMAX PRO CARBON 29" |
|---|----------|---|

MOYEUX

| | | |
|---|----------|---------------------------------------|
| 3 | N/A | HUB BODY |
| 4 | 99688501 | BEARING KIT 9/15 D6T HUB |
| 5 | V2252301 | MY16 FRONT AXLE ROAD DISC 9/12/15 INT |
| 6 | N/A | HUB BODY |
| 7 | V2370701 | KIT FRONT QRM+ AXLE BOOST INTL 110mm |

TYRES

| | | |
|---|----------|--------------------|
| 8 | 39243221 | Pulse Pro 29" 2.1 |
| 8 | 39243232 | Pulse Pro 29" 2.25 |

MAVIC Crossmax Pro Carbon 29

DELIVERED WITH

| | |
|---|---|
| Front QR adapters (996 941 01 for MTB or B41 043 01 for road) 1 |  |
| Rear 12x142mm adapters for Instant Drive 360 (B49 896 01 for ID360 6T, B49 899 01 for ID360 CL) 1 |  |
| Rear 12x142mm adapters for ITS4 and TS2 (308 593 01 for ITS4, 329 650 01 for TS2) 1 |  |

COMPATIBILITY

| | |
|---|--|
| Freewheel: Shimano/Sram, convertible to XD with optional driver body | |
| Front axle: convertible from 15mm thru axle to Quick Release with included adapters | |
| Rear axle: 12mm thru axle, convertible to Quick Release with optional adapters | |

Specifications

WHEEL HUB

- Front and rear bodies : aluminum

WHEEL WEIGHTS

Wheel weight 700

VERSIONS

- Color : Black only
- Disc standard : 6 Bolts only
- Hub width : Boost (front 110, rear 148) or Non-Boost (front 100, rear 135/142)
Lefty Supermax