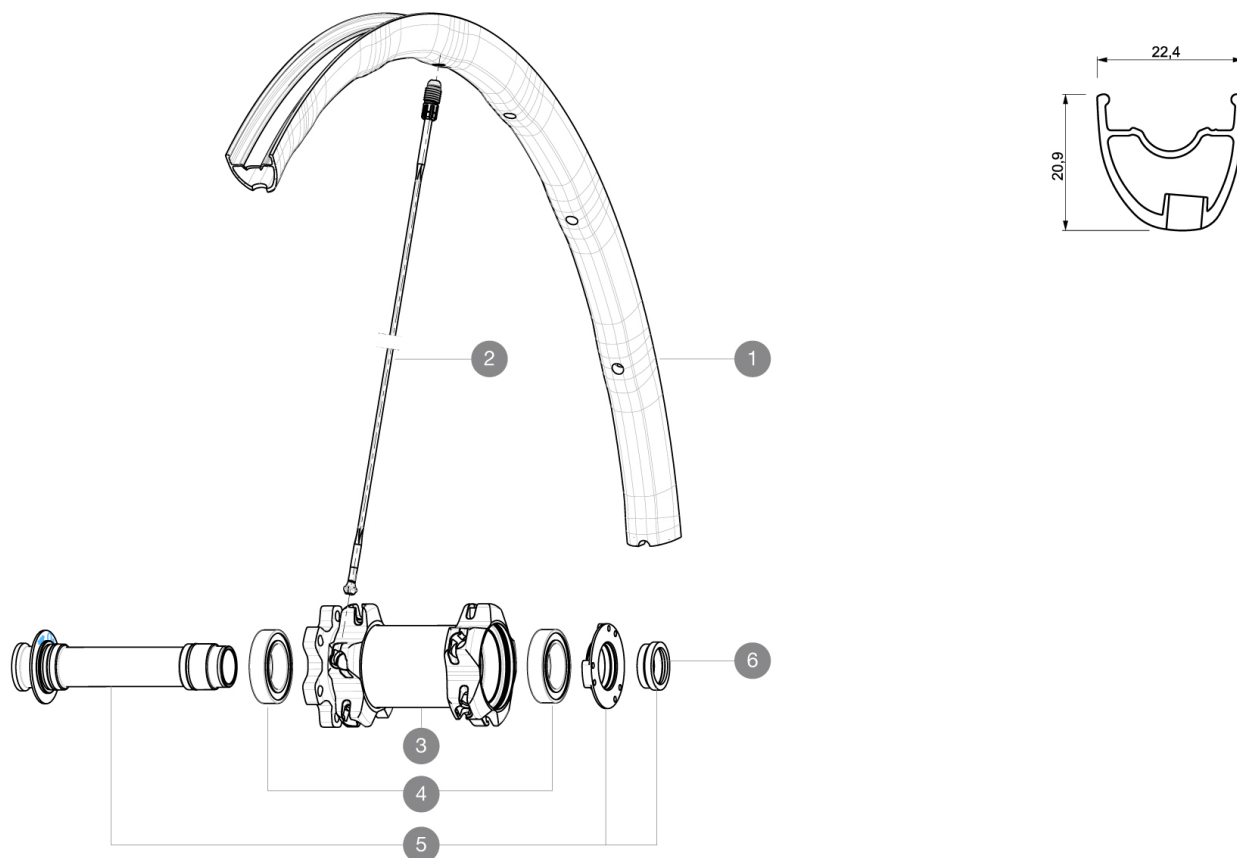


REFERENCES WHEELS

F42101 XmaxSLPro26FrNT Black

P65101 XmaxSLPro26PrNT Black



RIMS



Ø VALVE HOLE (MM): 6,5 :

1	V2310110	KIT FRONT RIM CROSSMAX SL 2015 26"
---	----------	------------------------------------

SPOKES

2	30864201	11 SPOKES M7/7 BLK FRT/OPP.DRV CROSSMAX SLR 12 269mm
---	----------	--

MOYEUX

3	N/A	HUB BODY
4	99688501	BEARING KIT 9/15 D6T HUB
5	99688201	9/15 D6T HUB FRONT AXLE
6	10846501	FRONT FORK SUPPORT FOR 15mm AXLE

MAVIC *Crossmax SL Pro 26***DELIVERED WITH**

BX601 quick releases	
UST valve and accessories	
Front 15 mm adapters	
Rear QR adapters	
Rear 12x142mm adapters	
Specific disc bolts	
Computer magnet (front wheel)	
Multifunction adjustment wrench	
User guide	

Specifications**RIMS**

- **Material** : Mactal
 - **Joint** : SUP
 - **Drilling** : Fore
- Disc brake specific profile
- **Weight reduction** : ISM 4D
 - **Valve hole diameter** : 6.5 mm
 - **Tyre** : UST Tubeless and tubetype
 - **Internal width** : 19 mm
 - **ETRTO size 26"** : 559x19C
 - **ETRTO size 650b/27.5"** : 584x19C
 - **ETRTO size 29"** : 622x19C
 - **ETRTO recommended tyre sizes** : 28mm to 62mm (1.1" to 2.5")

SPOKES

- **Material** : Zicral
- **Shape** : straight pull, bladed
- **Nipples** : Fore integrated aluminum
- **Count** : 20 front and rear
- **Lacing** : front crossed 2, rear Isopulse

WHEEL HUB

- **Front body** : carbon with aluminum flanges
 - **Rear body** : aluminum
 - **Axle material** : aluminum
- Adjustable sealed cartridge bearings
- **Freewheel** : ITS-4 alloy
- Shimano 11 speeds compatible
Sram XD Compatible (XX1-X01) with optional kit

WHEEL WEIGHTS

Wheel weight
 Weight Front 26": 630
 Weight Front 27.5": 665
 Weight Front 29": 690