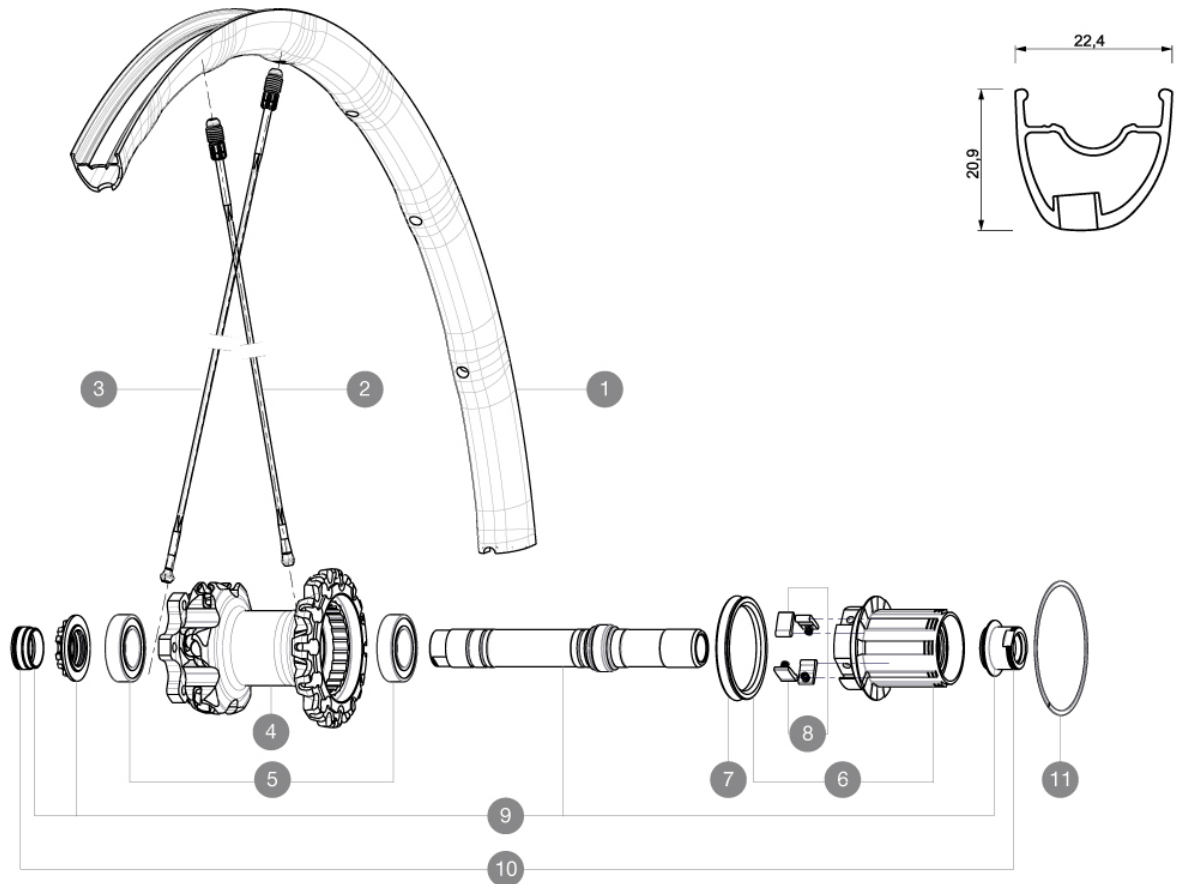


REFERENCES WHEELS

P65101	XmaxSLPro26PrNT Black	R68001	XmaxSLPro26RrNT Black
--------	-----------------------	--------	-----------------------



RIMS



Ø VALVE HOLE (MM): 6,5 :

1	V2310413	KIT REAR RIM CROSSMAX SL 2015 26"
---	----------	-----------------------------------

SPOKES

2	30864101	10 SPOKES M7/7 BLK DRV CROSSMAX SLR 12 239mm
3	30864201	11 SPOKES M7/7 BLK FRT/OPP.DRV CROSSMAX SLR 12 269mm

MOYEUX

4	N/A	HUB BODY
5	M40076	FRONT HUB 6903 BEARINGS
6	35126001	ITS-4 FREEWHEEL BODY + SEAL 2013 (WITHOUT PAWLS)
7	99610701	ITS4 SEAL
8	99610601	ITS4 PAWLS KIT
9	30870401	REAR AXLE KIT ITS4 135mm D6T/DCL 2012
10	30872201	FORK REST ITS-4 135mm REAR AXLE 2012
11	30871801	ELASTIC RING 56mm diam.

MAVIC *Crossmax SL Pro 26***DELIVERED WITH**

BX601 quick releases	
UST valve and accessories	
Front 15 mm adapters	
Rear QR adapters	
Rear 12x142mm adapters	
Specific disc bolts	
Computer magnet (front wheel)	
Multifonction adjustment wrench	
User guide	

Specifications**RIMS**

- **Material** : Mactal
 - **Joint** : SUP
 - **Drilling** : Fore
- Disc brake specific profile
- **Weight reduction** : ISM 4D
 - **Valve hole diameter** : 6.5 mm
 - **Tyre** : UST Tubeless and tubetype
 - **Internal width** : 19 mm
 - **ETRTO size 26"** : 559x19C
 - **ETRTO size 650b/27.5"** : 584x19C
 - **ETRTO size 29"** : 622x19C
 - **ETRTO recommended tyre sizes** : 28mm to 62mm (1.1" to 2.5")

SPOKES

- **Material** : Zicral
- **Shape** : straight pull, bladed
- **Nipples** : Fore integrated aluminum
- **Count** : 20 front and rear
- **Lacing** : front crossed 2, rear Isopulse

WHEEL HUB

- **Front body** : carbon with aluminum flanges
 - **Rear body** : aluminum
 - **Axle material** : aluminum
- Adjustable sealed cartridge bearings
- **Freewheel** : ITS-4 alloy
- Shimano 11 speeds compatible
Sram XD Compatible (XX1-X01) with optional kit

WHEEL WEIGHTS

Wheel weight
 Weight Rear 26": 760
 Weight Rear 27.5": 805
 Weight Rear 29": 830