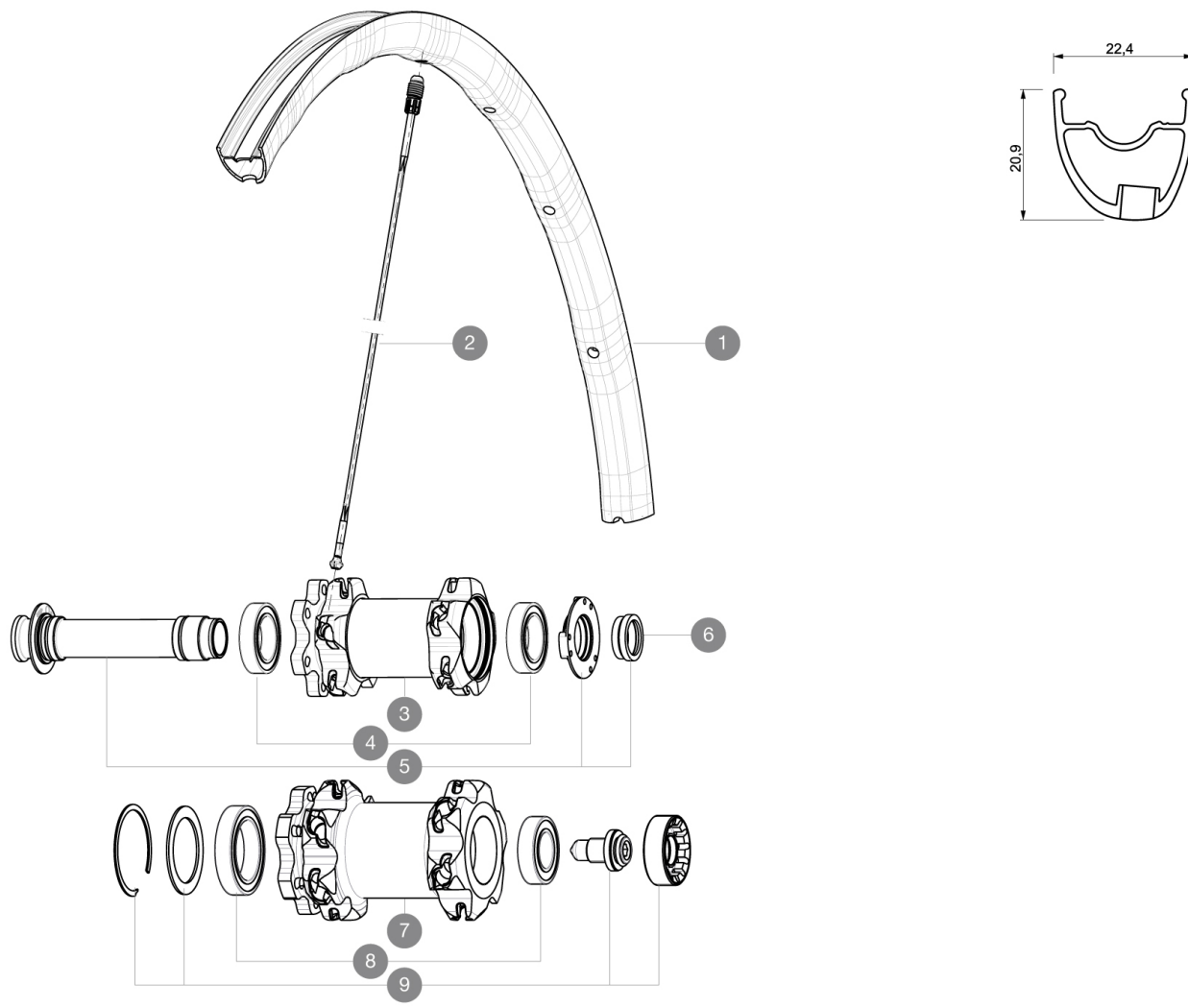


REFERENCES WHEELS

F27901	XmaxSLPro29FtWTS Black	P50602	XmaxSLProLtd29PrWTS Yellow
F27902	XmaxSLProLtd29FtWTS Yell	P65501	XmSLPro29PrSpxOffsetWTSBk
F42701	XmaxSLPro29SpxWTSBk	P65502	XmSLProLtd29PrSpxOffsetWTSYel
F42702	XmaxSLProLtd29SpxWTS Yel	P76001	XmaxSLPro29PrXDWTS Black
F49801	XmSLProLtd29SpxNTSMU BK/Y	P76002	XmaxSLProLtd29PrXDWTS Yellow
F55901	XmaxSLPro29FINT Bk	P77801	XmaxSLPro29Pr NT
P50601	XmaxSLPro29PrWTS Black		



RIMS



Ø VALVE HOLE (MM): 6,5 :

1	V2313610	KIT FRONT RIM CROSSMAX SL PRO LIMITED YELLOW 29"
1	V2310310	KIT FRONT RIM CROSSMAX SL 2015 29"

SPOKES

2	35113701	"11 SPOKES M7/7 FRT/NDRV BLK CROSSMAX SLR 29"" 299,5mm"
---	----------	---

MOYEURS

3	N/A	HUB BODY
4	99688501	BEARING KIT 9/15 D6T HUB
5	99688201	9/15 D6T HUB FRONT AXLE
6	10846501	FRONT FORK SUPPORT FOR 15mm AXLE
7	N/A	HUB BODY
8	M40771	BEARING KIT FOR LEFTY HUB
9	36709301	ASSEMBLY KIT CROSSROC SUPERMAX

MAVIC *Crossmax SL Pro 29***DELIVERED WITH**

BX601 quick releases	
1 bottle of Mavic Sealant	
UST valve and accessories	
Front QR adapters	
Rear QR adapters	
Rear 12x142mm adapters	
Specific disc bolts	
Multifonction adjustment wrench	
User guide	

Specifications**RIMS**

- **Material** : Mactal
 - **Joint** : SUP
 - **Drilling** : Fore
- Disc brake specific profile
- **Weight reduction** : ISM 4D
 - **Valve hole diameter** : 6.5 mm
 - **Tyre** : UST Tubeless and tubetype
 - **Internal width** : 19 mm
 - **ETRTO size 26"** : 559x19C
 - **ETRTO size 650b/27.5"** : 584x19C
 - **ETRTO size 29"** : 622x19C
 - **ETRTO recommended tyre sizes** : 28mm to 62mm (1.1" to 2.5")

SPOKES

- **Material** : Zicral
- **Shape** : straight pull, bladed
- **Nipples** : Fore integrated aluminum
- **Count** : 20 front and rear
- **Lacing** : front crossed 2, rear Isopulse

WHEEL HUB

- **Front body** : carbon with aluminum flanges
 - **Rear body** : aluminum
 - **Axle material** : aluminum
- Adjustable sealed cartridge bearings
- **Freewheel** : ITS-4 alloy
- Shimano 11 speeds compatible
Sram XD Compatible (XX1-X01) with optional kit

WHEEL WEIGHTS

Wheel weight
 Weight Front 26": 630
 Weight Front 27.5": 665
 Weight Front 29": 690