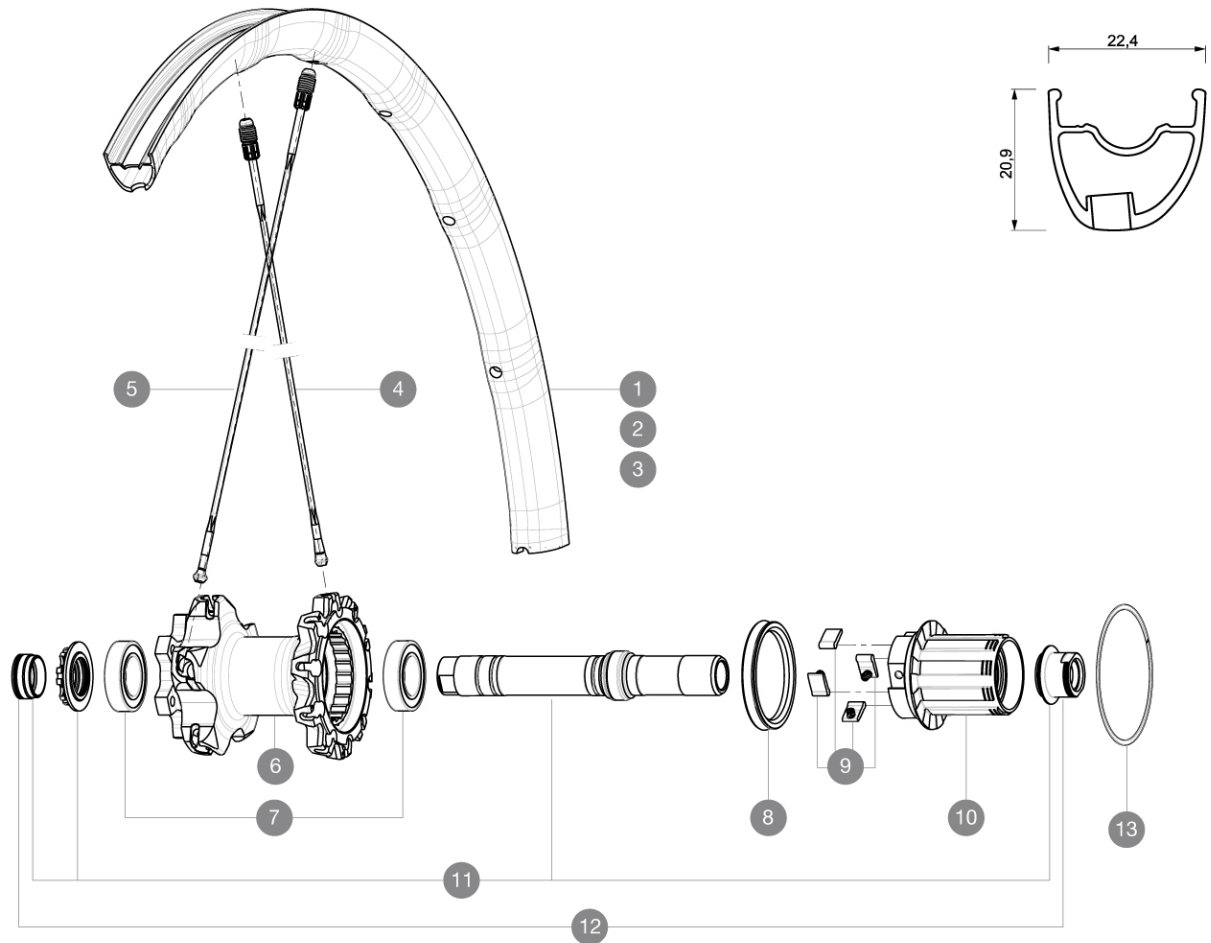


REFERENCES WHEELS

P57001	XmaxXLPro29PrWTS	P82631	XmXLPro29PrSpXDWTS
P76301	XmaxXLPro29PrXDWTS	R59801	XmaxXLPro29RrWTS
P82621	XmXLPro29PrSpXWTS	R79001	XmaxXLPro29RrXDWTS



RIMS



Ø VALVE HOLE (MM): 6,5 :

1	V2311213	KIT REAR RIM CROSSMAX XL 2015 29"
---	----------	-----------------------------------

SPOKES

2	35113801	"10 SPOKES M7/7 DRV BLK CROSSMAX SLR 29"" 269,5mm"
3	A7209901	SPOKES FRONT/OPP DRIVE SIDE CROSSMAX XL 29"

MOYEURS

4	N/A	HUB BODY
5	M40076	FRONT HUB 6903 BEARINGS
6	35126001	ITS-4 FREEWHEEL BODY + SEAL 2013 (WITHOUT PAWLS)
7	99610701	ITS4 SEAL
8	99610601	ITS4 PAWLS KIT
9	30870401	REAR AXLE KIT ITS4 135mm D6T/DCL 2012
10	30872201	FORK REST ITS-4 135mm REAR AXLE 2012
11	30871801	ELASTIC RING 56mm diam.

MAVIC *Crossmax XL Pro 29***DELIVERED WITH**

BX601 rear quick release	
1 bottle of Mavic Sealant	
UST valve and accessories	
Front 15 mm adapters	
Rear QR adapters	
Rear 12x142mm adapters	
Multifonction adjustment wrench	
User guide	

Specifications**RIMS**

- **Material** : Mactal
- **Drilling** : Fore
- **Weight reduction** : ISM
- **Tyre** : UST Tubeless and tubetype
- **Internal width** : 23 mm
- **ETRTO size 26"** : 559x23C
- **ETRTO size 27.5"** : 584x23C
- **ETRTO size 29"** : 622x23C
- **ETRTO recommended tyre sizes** : 37mm to 76mm (1.5" to 3.0")

SPOKES

- **Material** : Zicral
- **Shape** : straight pull, round
- **Shape** : straight pull, bladed
- **Nipples** : Fore integrated aluminum
- **Count** : 24 front and rear
- **Lacing** : front crossed 2, rear Isopulse

WHEEL HUB

- **Front and rear bodies** : aluminum
 - **Axle material** : aluminum
- Adjustable sealed cartridge bearings
- **Freewheel** : ITS-4 alloy
- Shimano 11 speeds compatible
Sram XD Compatible (XX1-X01) with optional kit

WHEEL WEIGHTS

Wheel weight
 Weight Rear 26": 870
 Weight Rear 27.5": 895
 Weight Rear 29": 930