

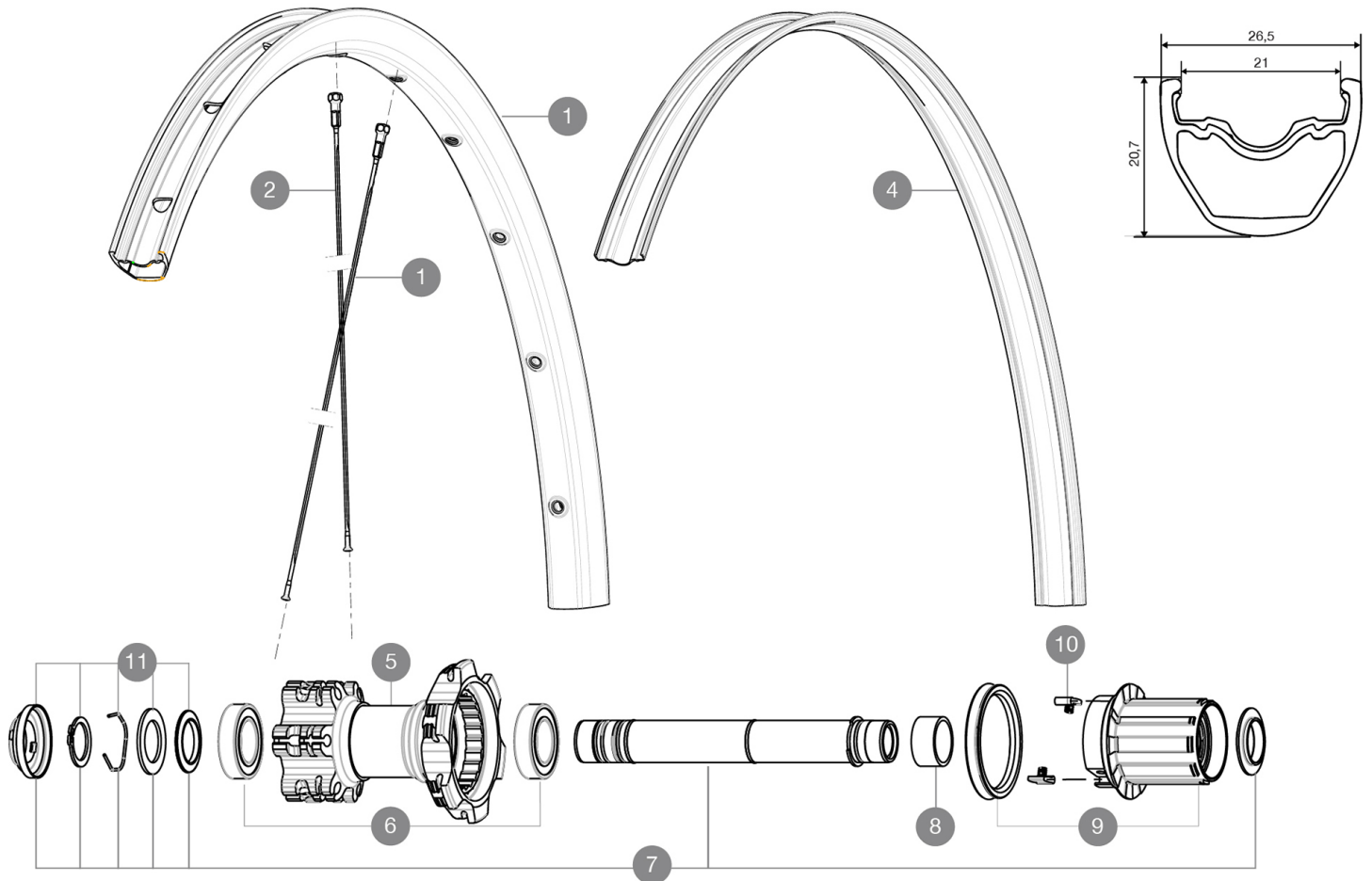
MAVIC *Crossride Tubeless Pulse 27.5*

ASTM CATEGORY 3 : offroad with jumps less than 61cm
Recommended weight limit : 120kg

REFERENCES WHEELS

P60901 XRidUSTPulse27.5PrWTS

R60001 XRidUSTPulse27.5RrWTS

**RIMS**

Ø VALVE HOLE (MM): 6,5 :

1 V2314215 RIM CROSSRIDE TUBELESS 27,5

SPOKES

2 V2381101 12 FRT + REAR NON-DRIVE SIDE SPOKES 277mm CROSSRIDE TUBELESS
3 36689301 27.5 SPOKES DRIVE SIDE CROSSROC 650b/27,5" 275mm"

MOYEURS

5 N/A HUB BODY
6 M40076 FRONT HUB 6903 BEARINGS
7 V2371201 KIT REAR QRM AXLE 135-142mm/BOOST 148mm
8 35124501 SET OF 3 REAR AXLE/FREEWHEEL BODY SPACERS
9 35126301 TS-2 FREEWHEEL BODY + SEAL 2013 (WITHOUT PAWLS)
10 99610601 ITS4 PAWLS KIT
11 V2370401 REAR AUTO ADJUST.PLAY KIT 12MM AXLE

MAVIC *Crossride Tubeless Pulse 27.5***DELIVERED WITH**

BR101 rear quick release	
1 bottle of Mavic Sealant	
Rim tape	
Tubeless rim tape	
UST valve and accessories	
Rear QR adapters	
Rear 12x142mm adapters	
Valve reducer	
User guide	

Specifications**RIMS**

- **Material** : S6000 Aluminum
- **Joint** : sleeved
- **Drilling** : traditional with H2 reinforcement
Disc brake specific profile
- **Valve hole diameter** : 8,5 mm with pop off reducer
- **Tyre** : UST Tubeless and tubetype
- **Internal width** : 21 mm
- **ETRTO size 26"** : 559x21C
- **ETRTO size 27.5"** : 584x21C
- **ETRTO size 29"** : 622x21C
- **ETRTO recommended tyre sizes** : 35mm to 69mm (1.4" to 2.7")

SPOKES

- **Material** : steel
- **Shape** : straight pull, bladed, double butted
- **Nipples** : brass, ABS
- **Count** : 24 front and rear
- **Lacing** : front and rear crossed 2

WHEEL HUB

- **Front and rear bodies** : aluminum
- **Axle material** : aluminum
Sealed cartridge bearings
- **Freewheel** : TS-2 alloy
Shimano 11 speeds compatible
Sram XD Compatible (XX1-X01) with optionnal kit

WHEEL WEIGHTS

- **Wheel weight**
Weight Rear 27.5": 995
Weight Rear 29": 1040