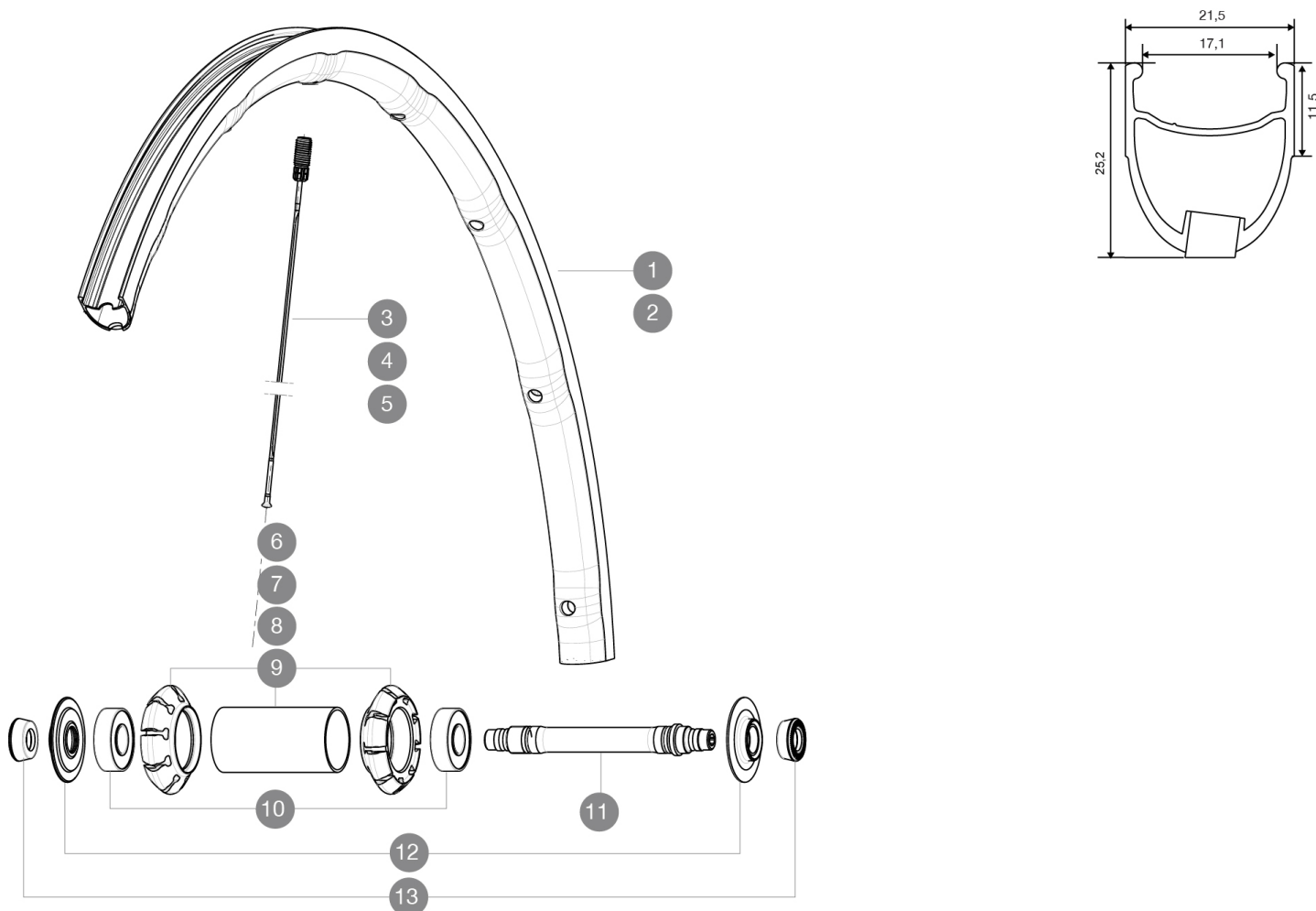


ASTM CATEGORY 2 : road and offroad with jumps less than 15cm
Recommended weight limit : 120kg
Recommended tyre sizes: 25 to 52 mm
Max. Pressure: 25mm 7.7 bars - 110 PSI

REFERENCES WHEELS

F70001	KsyriumElite16FISMUG16-71	P82902	Ksyrium Elite 16 Pr Red
F72241	Ksy Elite16Ft NT SMU Black	P82903	Ksyrium Elite 16 Pr Blue
P65701	KsyriumElite16Pr Black	P82904	Ksyrium Elite 16 Pr White
P65702	KsyriumElite16Pr Red	F41201	Ksyrium Elite 16Ft Black
P65703	KsyriumElite16Pr Blue	F41202	Ksyrium Elite 16Ft Red
P65704	KsyriumElite16Pr White	F41203	Ksyrium Elite 16Ft Blue
P82901	Ksyrium Elite 16 Pr Black	F41204	Ksyrium Elite 16Ft White



RIMS



VALVE HOLE Ø (MM): 6,5 :

1	V2402210	KIT FRONT RIM KSYRIUM ELITE 2016 BLACK for BLACK/RED/BLUE
2	V2404710	FRT RIM KSYRIUM ELITE WHITE 16

SPOKES

3	V2271601	KIT 9 FRONT SPOKES 283,5mm KSYRIUM ELITE for BLACK/WHITE
4	V2272201	KIT 9 FRONT SPOKES 283,5mm KSYRIUM ELITE RED
5	V2271901	KIT 9 FRONT SPOKES 283,5mm KSYRIUM ELITE BLUE

MOYEURS

6	N/A	HUB BODY
7	N/A	HUB BODY
8	N/A	HUB BODY
9	N/A	HUB BODY
10	M40318	HUB BEARING KIT 6001
11	30870001	FRONT AXLE KIT CXR 80
12	12038201	KSYRIUM ELITE 11 HUB CAP AND ADJUST.NUT
13	35117301	FRONT OR REAR FORK REST KIT R-SYS 2013

MAVIC Ksyrium Elite

DELIVERED WITH

BR301 quick releases	
BR301 quick releases	
Multifonction adjustment wrench	
User guide	
Multifonction adjustment wrench	
User guide	

COMPATIBILITY

Freewheel: Shimano/Sram, convertible to Campagnolo with optional driver body	
Front axle: Quick Release only	
Rear axle: Quick Release only	

Specifications

RIMS

- **Material** : Mxstal
- **Height** : front 24mm, rear 26 asymmetrical
- **Joint** : SUP
- **Drilling** : Fore
- **Brake track** : UB Control
- **Weight reduction** : ISM 4D
- **Valve hole diameter** : 6.5 mm
- **Material** : Mxstal
- **Tyre** : clincher
- **Height** : front 24mm, rear 26 asymmetrical
- **ETRTO size** : 622x17C
- **Recommended tyre sizes** : 25 to 52 mm
- **Joint** : SUP
- **Drilling** : Fore
- **Brake track** : UB Control
- **Weight reduction** : ISM 4D
- **Valve hole diameter** : 6.5 mm
- **Tyre** : clincher
- **Internal width** : 17 mm
- **ETRTO size** : 622x17C

SPOKES

- **Material** : steel
- **Shape** : straight pull, bladed, front double butted
- **Nipples** : Fore integrated aluminum
- **Count** : front 18, rear 20
- **Material** : steel
- **Lacing** : front radial, rear Isopulse
- **Shape** : straight pull, bladed, front double butted
- **Nipples** : Fore integrated aluminum
- **Count** : front 18, rear 20
- **Lacing** : front radial, rear Isopulse

WHEEL HUB

- **Front and rear bodies** : aluminum
- **Axle material** : aluminum
- Adjustable sealed cartridge bearings
- **Freewheel** : FTS-L steel
- **Front and rear bodies** : aluminum
- **Axle material** : aluminum
- Adjustable sealed cartridge bearings
- **Freewheel** : FTS-L steel

VERSIONS

- **Color** : Black or Black/Red or Black/Blue or Black/White

WHEEL WEIGHTS

Wheel weight 680